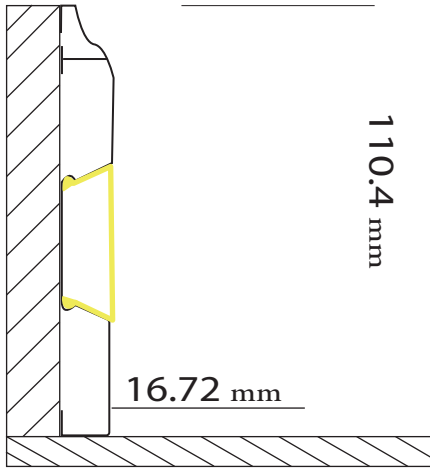


ALFA Skirting

PVC Skirting

A PVC skirting is a type of baseboard that is made of a durable and flexible plastic material called polyvinyl chloride (PVC). PVC skirting are commonly used in residential and commercial buildings to cover the joint between the wall and the floor providing a decorative and protective finish to the interior design of a room.

PVC skirting are a popular choice because they are easy to install, clean, and maintain. They are available in various sizes, styles, and finishes to suit different decor styles and preferences. The white color is a popular choice because it provides a neutral base that can easily blend in with most wall colors and floor types.



Durability: PVC is a strong and durable material that can withstand heavy impacts and abrasions. It is also resistant to moisture and humidity, making it ideal for use in areas prone to dampness or moisture.

Low maintenance: PVC skirting are easy to clean and require minimal maintenance, making them a cost-effective solution.

Versatility: PVC skirting can be easily cut and customized to fit different room sizes and configurations.

Cost-effective: PVC skirting boards are an affordable alternative to other materials such as wood or metal.



Specification

Material: PVC/Plastic

Length: 3m/pc

Height: 11.04 mm

Width: 16.72 mm

Color Range: Solid

Net Weight: 800g/pc





[Hard PVC Skirting Boards](#)

Plastic skirting boards are a type of baseboard that are made from plastic materials such as PVC or vinyl. They are designed to be durable and long-lasting and are a popular choice for commercial and residential properties.

One of the main benefits of plastic skirting boards is their durability. They are resistant to scratches, dents, and other forms of damage, making them ideal for high-traffic areas.

They are also moisture-resistant, which means they are a good choice for areas that are prone to dampness, such as bathrooms or kitchens.



Another advantage of plastic skirting boards is that they are easy to clean and maintain. They can be wiped down with a damp cloth to remove dust and dirt, and they do not require any special cleaning products.

Solid plastic skirting boards are available in a range of styles and colors, so they can be matched to any decor. They can also be easily installed using adhesive or screws, making them a convenient and cost-effective solution for any property.

[Applications:](#)

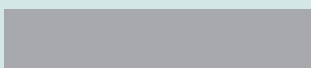
Residential Properties: Solid plastic skirting boards are a popular choice for homes as they are durable and easy to maintain. They can be used in living rooms, bedrooms, hallways, and other areas.

Commercial Properties: These skirting boards are also suitable for commercial properties such as offices, retail stores, and restaurants. They are highly durable and can withstand heavy foot traffic.

Hospitals and Healthcare Facilities: Solid plastic skirting boards are a popular choice for hospitals and healthcare facilities as they are moisture-resistant and easy to clean.



pick your **Color**



006



007



008



009